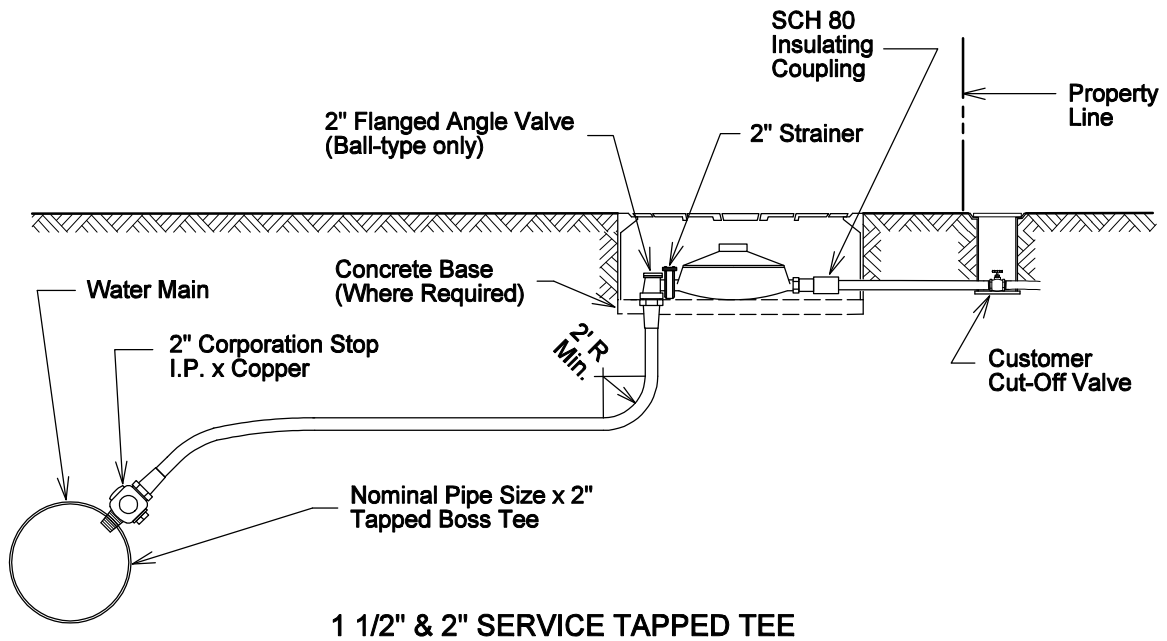


PIPE TAPPING SCHEDULE

PIPE DIAMETER	SERVICE SIZE			
	3/4"	1"	1 1/2"	2"
6" A.C.	Tap	Tap	Tap With Service Saddle	Tap With Service Saddle
6" C.I. or D.I.	Tap	Tap	Tap With Service Saddle	Tap With Service Saddle
8" A.C.	Tap	Tap	Tap With Service Saddle	Tap With Service Saddle
8" C.I. or D.I.	Tap	Tap	Tap With Service Saddle	Tap With Service Saddle
8" PVC	Tap With Service Saddle	Tap With Service Saddle	Tap With Service Saddle	Tap With Service Saddle
10" A.C.	Tap	Tap	Tap With Service Saddle	Tap With Service Saddle
10" C.I. or D.I.	Tap	Tap	Tap With Service Saddle	Tap With Service Saddle
10" PVC	Tap With Service Saddle	Tap With Service Saddle	Tap With Service Saddle	Tap With Service Saddle
12" A.C.	Tap	Tap	Tap With Service Saddle	Tap With Service Saddle
12" C.I. or D.I.	Tap	Tap	Tap With Service Saddle	Tap With Service Saddle
12" PVC	Tap With Service Saddle	Tap With Service Saddle	Tap With Service Saddle	Tap With Service Saddle
16" A.C.	Tap	Tap	Tap With Service Saddle	Tap With Service Saddle
16" C.I. or D.I.	Tap	Tap	Tap With Service Saddle	Tap With Service Saddle



Note:
For direct tap to main, see Tapping Schedule

PROPERTY OF
SAN ANTONIO WATER SYSTEM
SAN ANTONIO, TEXAS

**COPPER
SERVICE INSTALLATION
TAPPING SCHEDULE**

APPROVED
AUGUST 1998

REVISED

DD-824-01

SHEET
3 OF 3