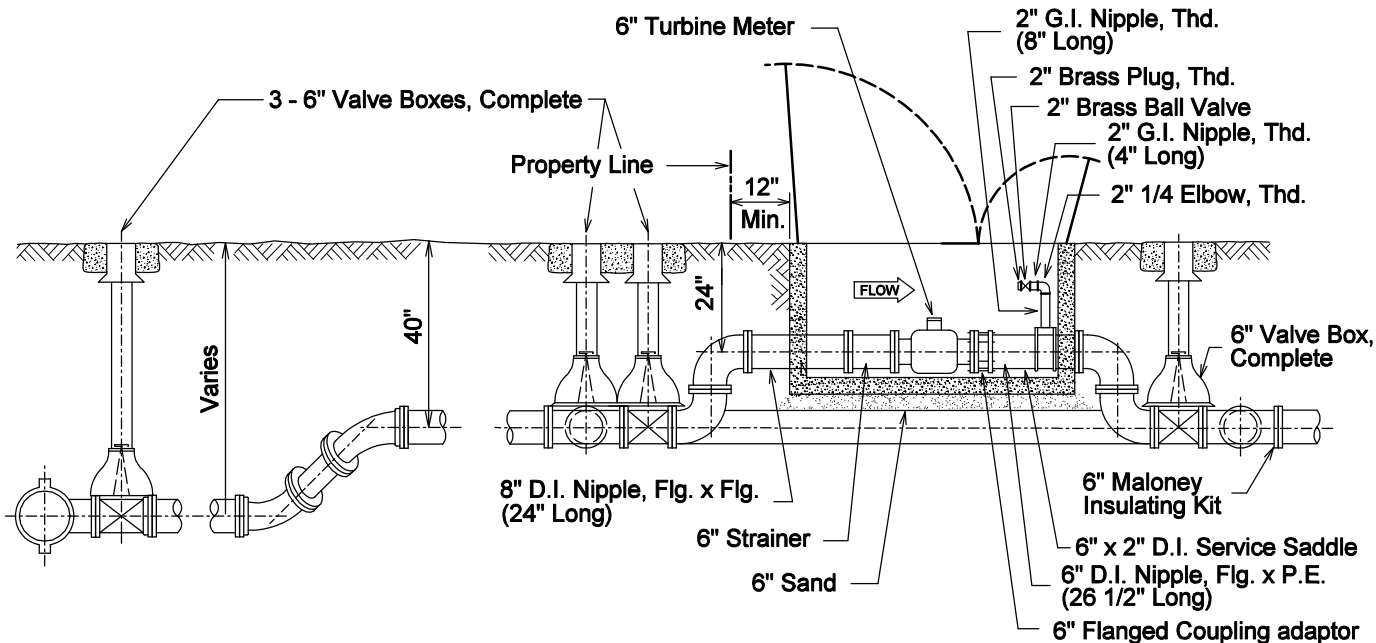


**PLAN**



**SECTION A-A**

**3' x 5' x 3' RECTANGULAR CONCRETE VAULT  
 (TRAFFIC BEARING LOCATION)**

\* Resilient Seat

PROPERTY OF  
**SAN ANTONIO WATER SYSTEM**  
 SAN ANTONIO, TEXAS

**6" TURBINE  
 METER INSTALLATION**

APPROVED  
 AUGUST 1998

REVISED

**DD-824-09**

SHEET  
 2 OF 2