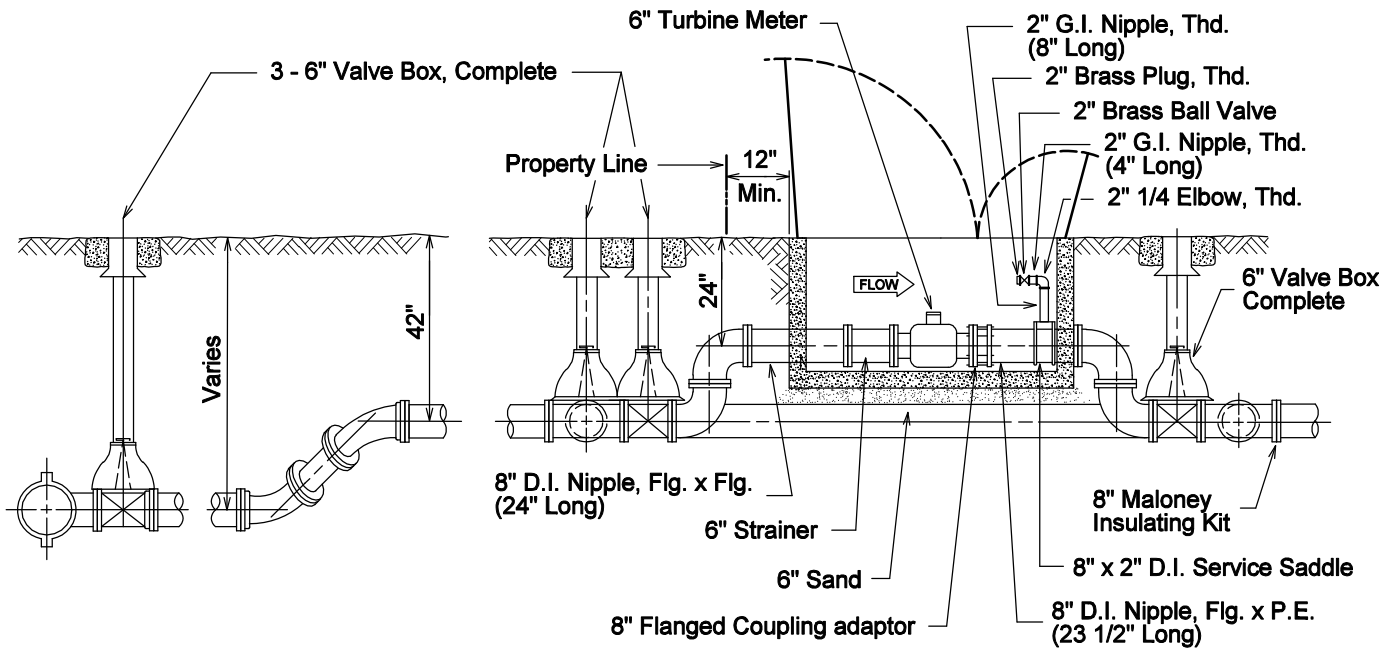


PLAN



SECTION A-A

* Resilient Seat

**3' x 5' x 3' RECTANGULAR CONCRETE VAULT
(TRAFFIC BEARING LOCATION)**

PROPERTY OF SAN ANTONIO WATER SYSTEM SAN ANTONIO, TEXAS	8" SERVICE WITH AN 8" TURBINE METER	APPROVED	REVISED
		AUGUST 1998	
DD-824-12			SHEET <u>2</u> OF <u>2</u>