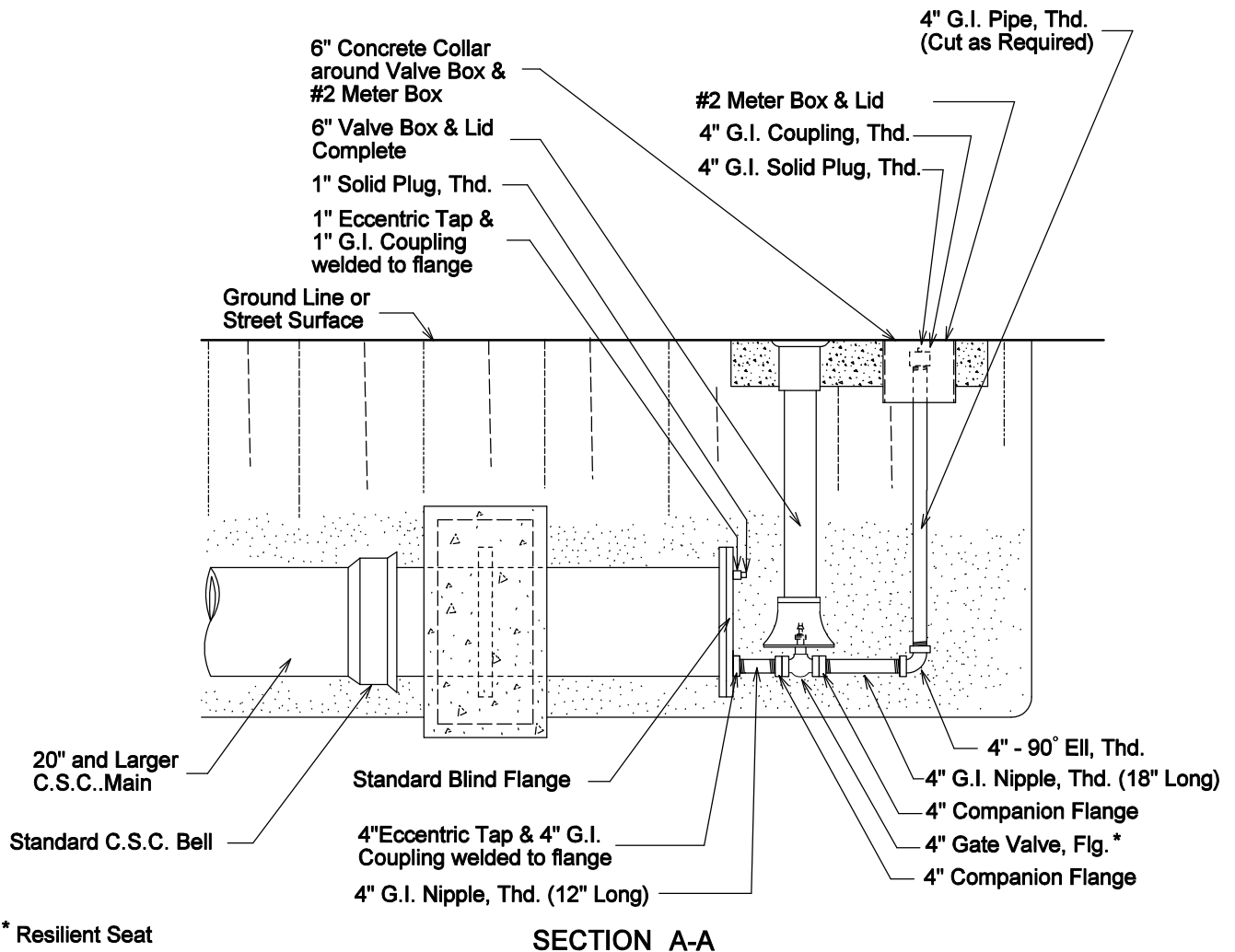
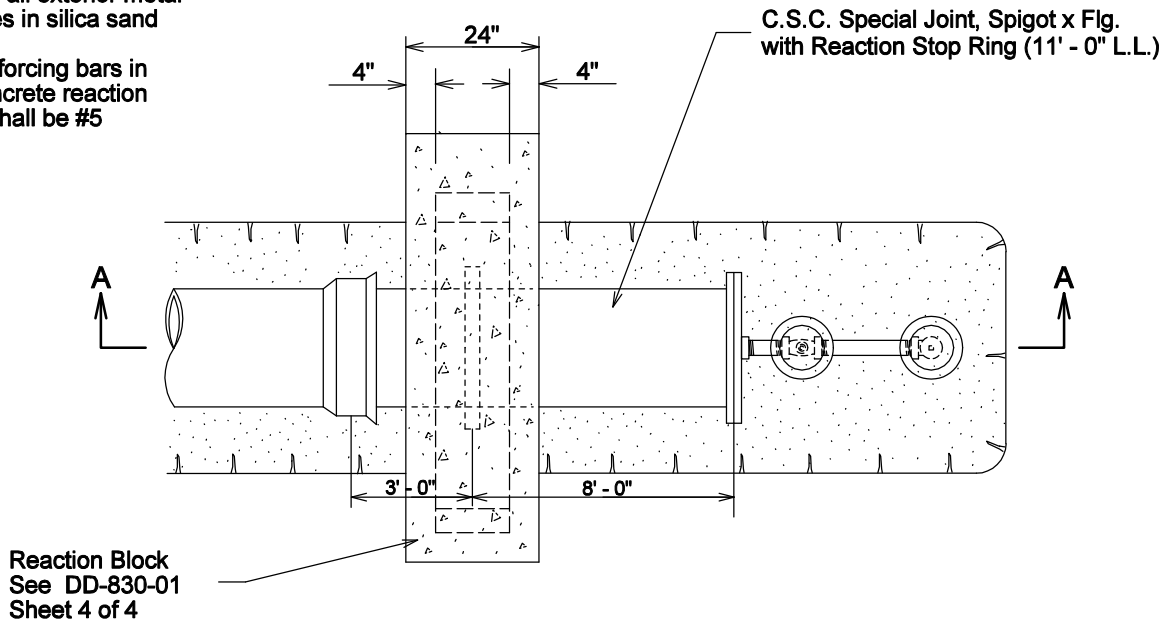


**Notes:**

1. Embed all exterior metal surfaces in silica sand
2. All reinforcing bars in the concrete reaction block shall be #5



PROPERTY OF  
**SAN ANTONIO WATER SYSTEM**  
 SAN ANTONIO, TEXAS

**4" PERMANENT  
 BLOW-OFF ASSEMBLY  
 20" AND LARGER C.S.C. MAIN**

APPROVED  
 AUGUST 1998

REVISED

**DD-844-05**

SHEET  
 2 OF 2