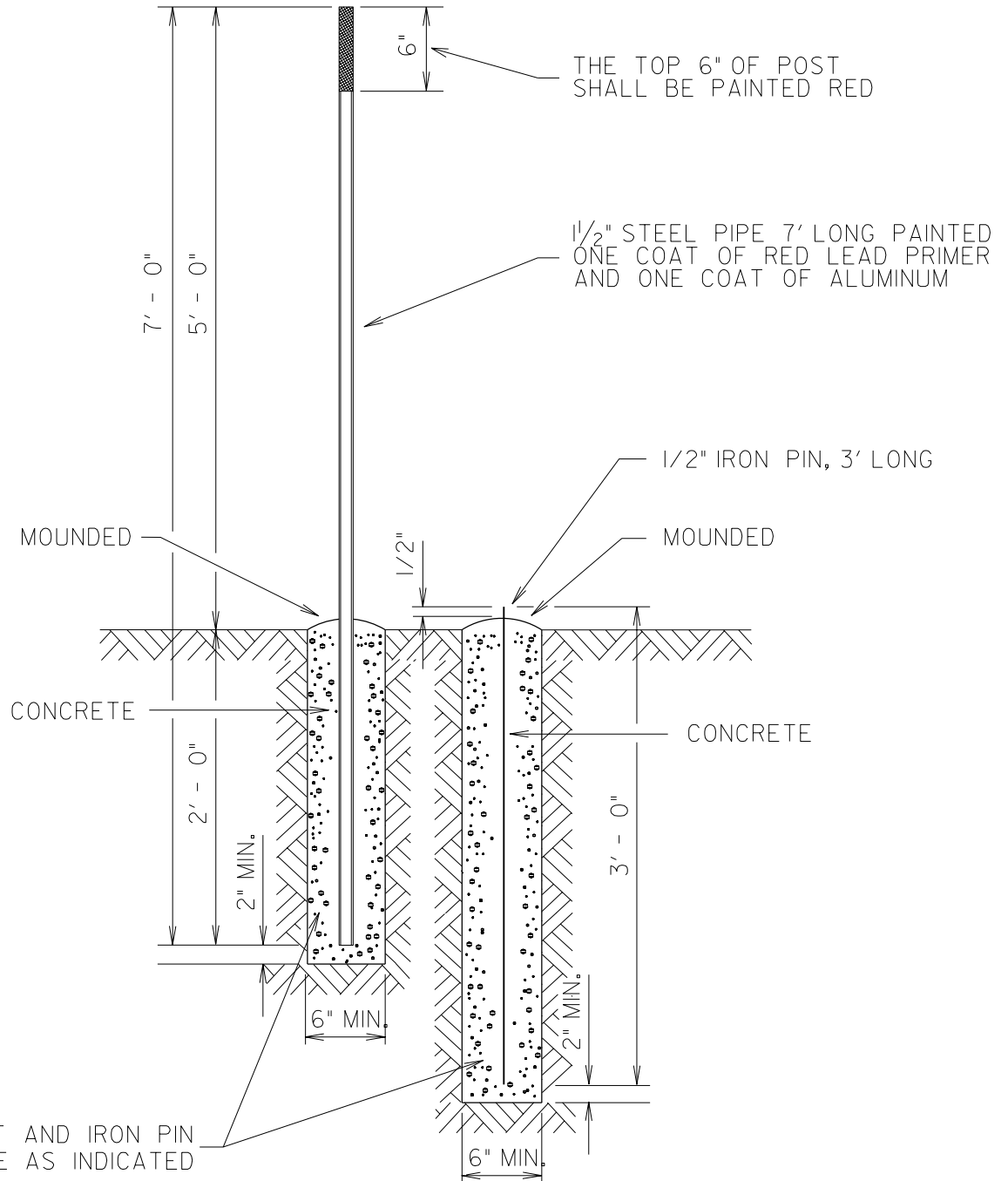
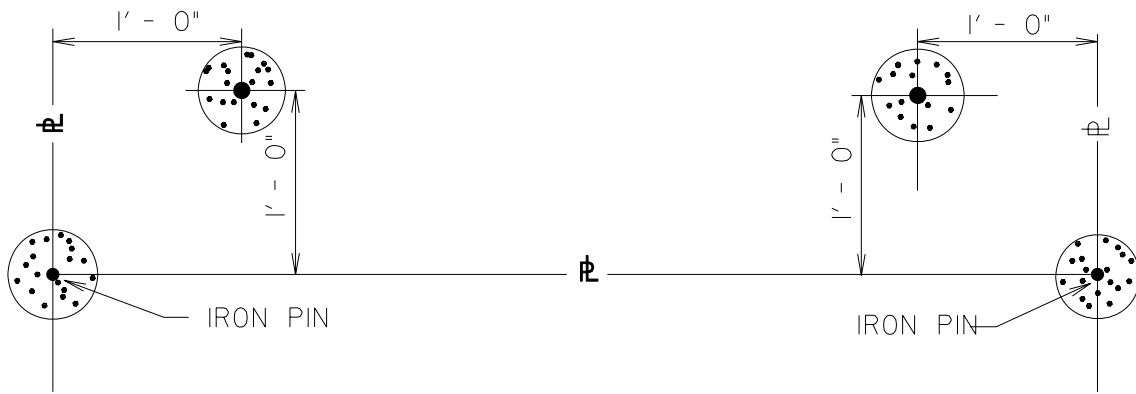


San Antonio Water System Standard Specifications for Construction

**ITEM NO. 845
FENCING DETAIL
PROPERTY MARKER DETAIL**



SET GUARD POST AND IRON PIN IN CONCRETE AS INDICATED

PROPERTY OF
SAN ANTONIO WATER SYSTEM
SAN ANTONIO, TEXAS

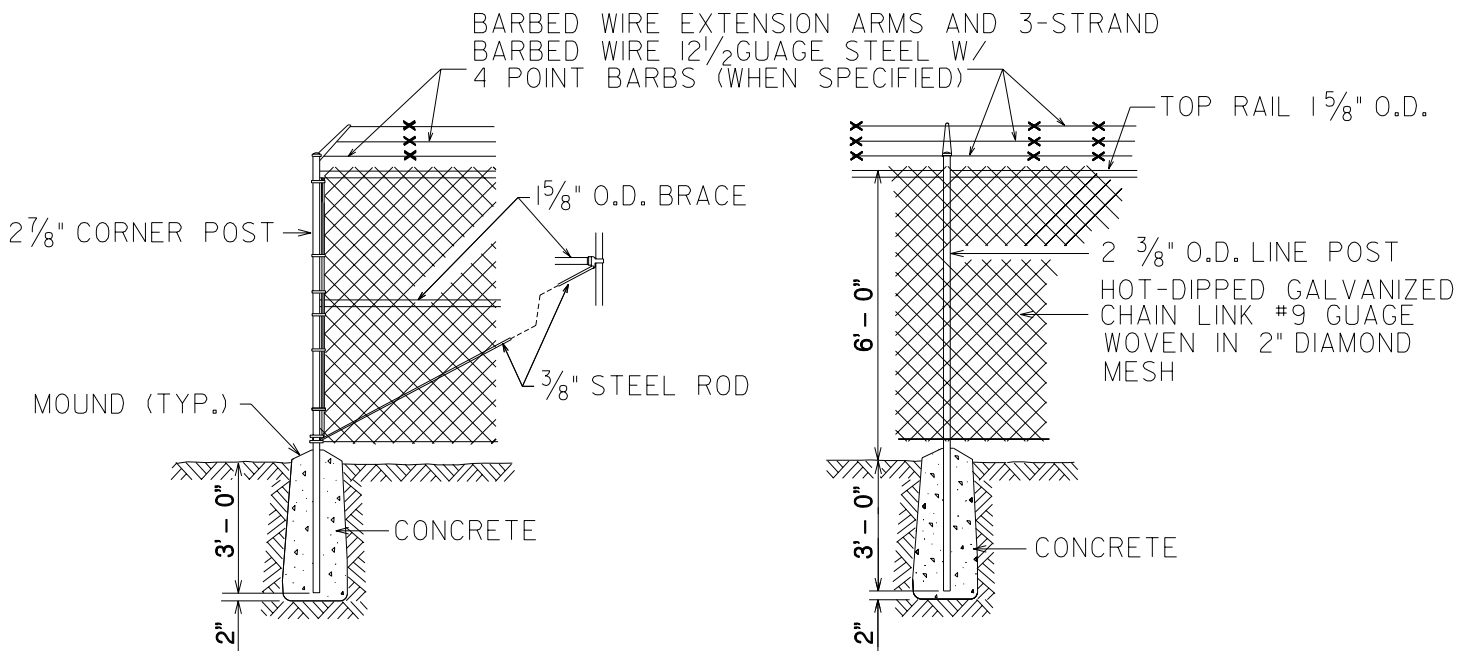
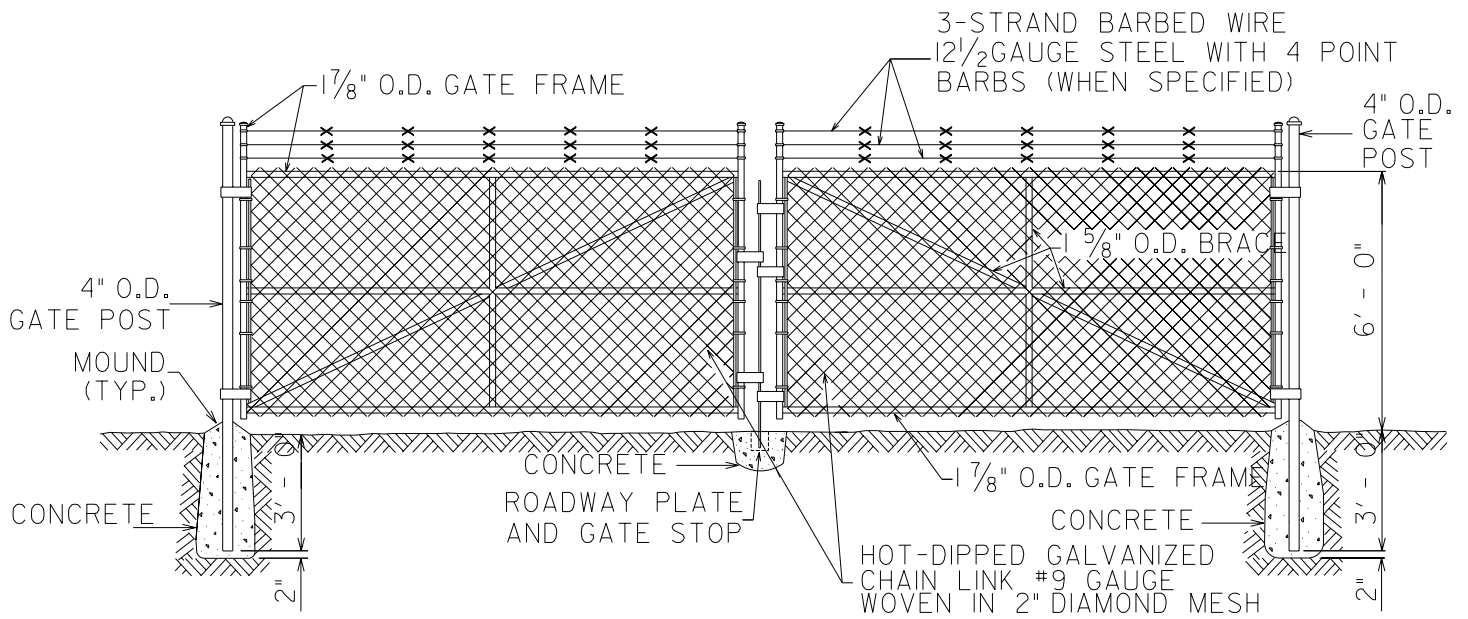
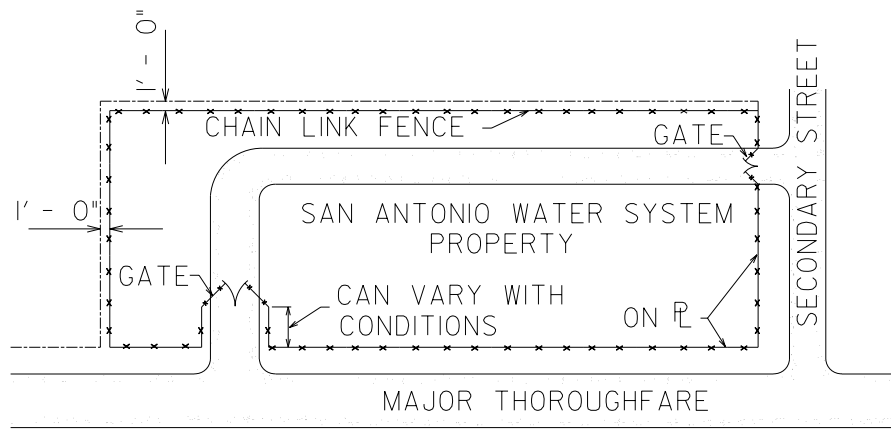
SAWS PROPERTY
MARKER ON
UNFENCED PROPERTY

APPROVED
March 2008

REVISED

DD-845-00

SHEET
1 OF 1



PROPERTY OF
SAN ANTONIO WATER SYSTEM
SAN ANTONIO, TEXAS

STANDARD GATE
AND FENCE AROUND
SAWS PROPERTY

APPROVED
March 2008

REVISED

DD-845-01

SHEET
1 OF 1