

San Antonio Water System Standard Specifications for Construction

**ITEM NO. 860
VERTICAL STACKS**

860.1 **DESCRIPTION:** This item shall govern the construction of vertical stacks from the main sewer line.

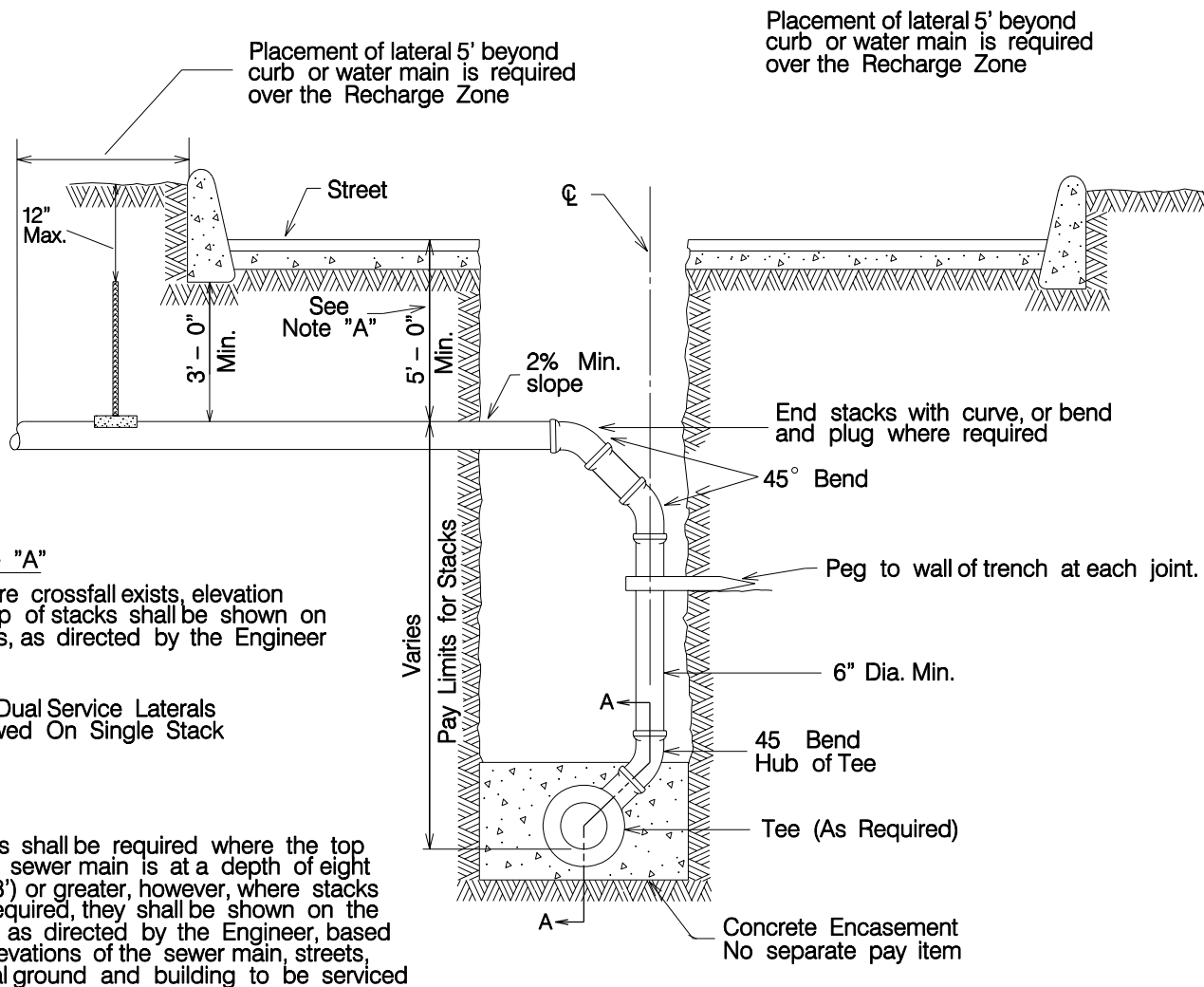
860.2 **MATERIALS:**

1. Pipe: Pipe and fittings shall conform to the requirements of "Sanitary Sewers", Item No. 848.
2. Concrete Encasement: Concrete encasement shall conform to the requirements of "Concrete Encasement, Cradles, Saddles and Collars", Item No. 858.

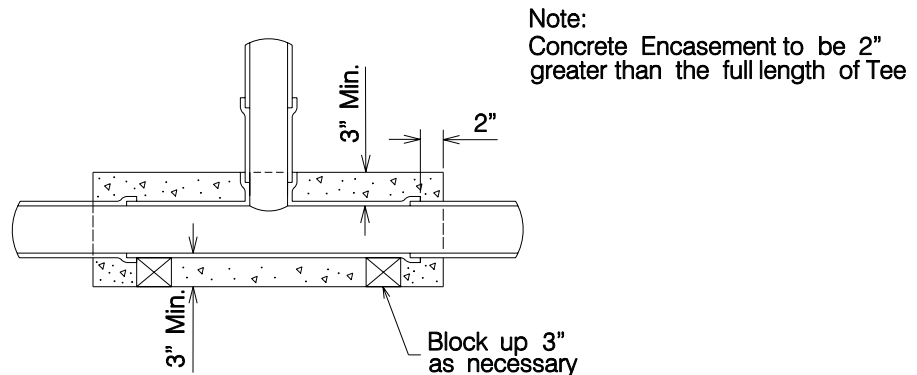
860.3 **CONSTRUCTION:** All work performed under this item shall conform to the applicable provisions of "Sanitary Sewers", Item No. 848, and the details shown on the project plans. Generally, vertical stacks for sewer laterals shall be installed where the depth of the main line invert to the finished grade is greater than eight feet or where specified by the Inspector.

860.4 **MEASUREMENT:** Vertical stacks shall be measured by the linear feet. Footage shall be computed as follows: Finish grade elevation (centerline) minus Invert elevation minus 8 feet.

860.5 **PAYMENT:** Vertical stacks shall be paid for at the contract unit price bid per vertical foot as measured above, which price shall be full compensation for furnishing all pipe, pipe fitting, joint materials, concrete encasement, materials, tools, equipment, labor and incidentals necessary to complete the work. No separate pay shall be made for wyes, tees or bends.



VERTICAL STACK DETAIL



SECTION A-A