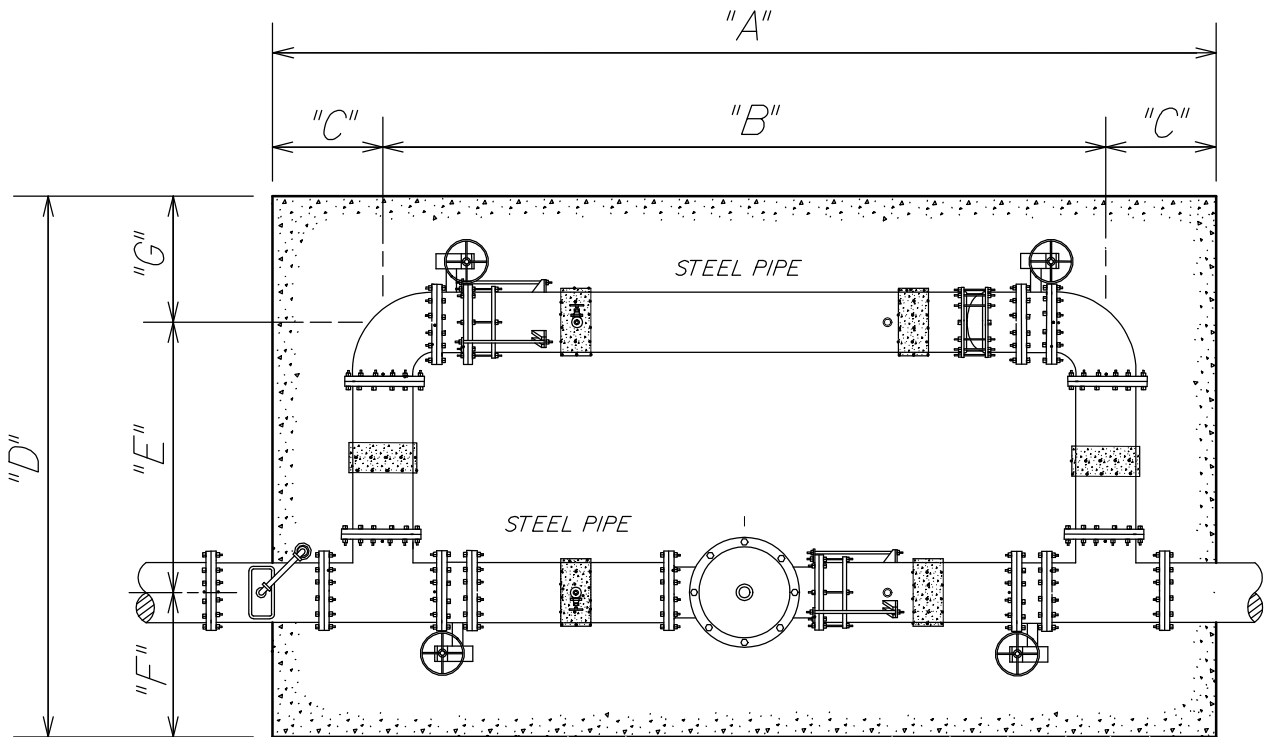


ALTITUDE VALVE CONCRETE SLAB TABLE

PIPE SIZE	"A"	"B"	"C"	"D"	"E"	"F"	"G"
8"	12'-0"	8'-0"	2'-0"	9'-0"	5'-0"	2'-0"	2'-0"
12"	16'-0"	12'-0"	2'-0"	10'-0"	5'-0"	2'-3"	2'-3"
16"	21'-0"	16'-0"	2'-6"	12'-0"	6'-0"	3'-0"	3'-0"
24"	31'-0"	24'-0"	3'-6"	18'-0"	9'-0"	4'-10"	4'-2"



PROPERTY OF
SAN ANTONIO WATER SYSTEM
SAN ANTONIO, TEXAS

ALTITUDE VALVE
CONCRETE SLAB TABLE

APPROVED

7-14-00

REVISED

DD-901-04

SHEET
3 OF 3