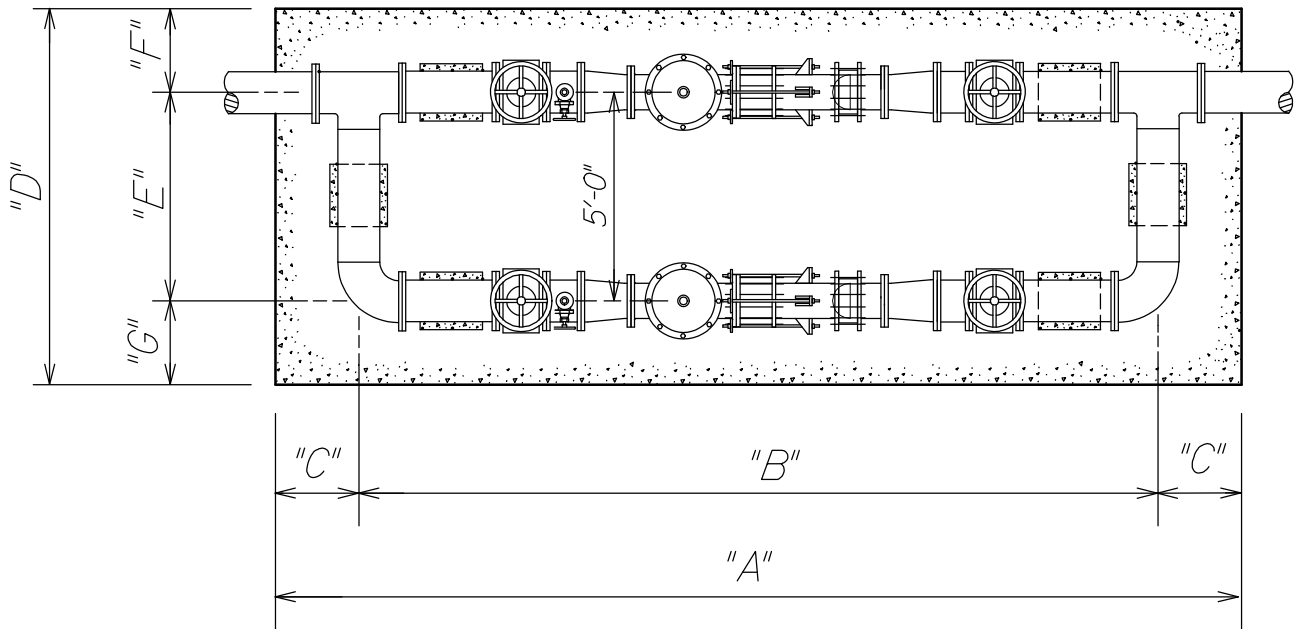


<i>PRESSURE REDUCING VALVE CONCRETE SLAB TABLE</i>							
<i>PIPE SIZE</i>	<i>"A"</i>	<i>"B"</i>	<i>"C"</i>	<i>"D"</i>	<i>"E"</i>	<i>"F"</i>	<i>"G"</i>
6"	17'-0"	13'-0"	2'-0"	9'-0"	5'-0"	2'-0"	2'-0"
8"	18'-0"	14'-0"	2'-0"	9'-0"	5'-0"	2'-0"	2'-0"
12"	23'-0"	19'-0"	2'-0"	10'-0"	5'-0"	2'-3"	2'-3"
16"	25'-0"	21'-0"	2'-6"	12'-0"	6'-0"	3'-0"	3'-0"



PROPERTY OF SAN ANTONIO WATER SYSTEM SAN ANTONIO, TEXAS	<i>PRESSURE REDUCER</i>	APPROVED	REVISED
	<i>VALVE CONCRETE</i>	7-14-00	
	<i>SLAB TABLE</i>	DD-901-05	SHEET 3 OF 3